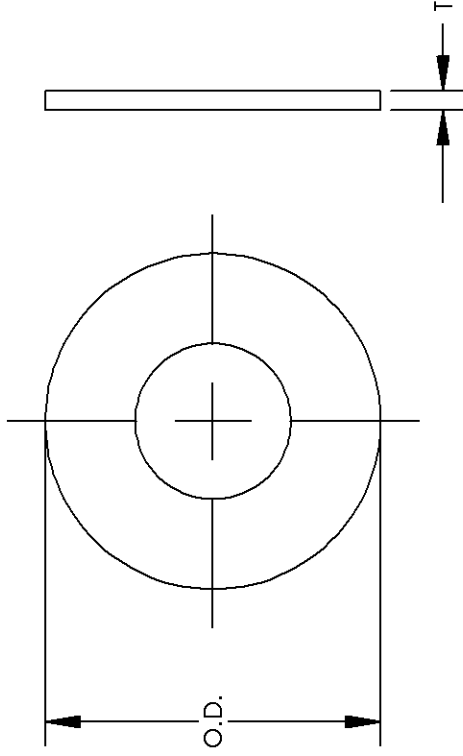


THIS COPY IS PROVIDED ON A RESTRICTED BASIS AND IS NOT TO BE USED IN ANY WAY DETRIMENTAL TO THE INTERESTS OF PANDUIT CORP.

NOTES:

1. PART NUMBERS: SSFW14, SSFW38
2. MATERIAL: STAINLESS STEEL
3. DIMENSIONS IN PARENTHESIS ARE MILLIMETERS

PANDUIT PART NUMBER	I.D.	O.D.	T	QUANTITY
SSFW14-C	1/4" [6mm]	5/8" [16mm]	.07 [1.6mm]	100
SSFW38-C	3/8" [26mm]	7/8" [22mm]	.05 [1.3mm]	100



C41734_01

PANDUIT CORP.

TINLEY PARK, ILLINOIS

STAINLESS STEEL FLAT WASHER
(SSFW14-C, SSFW38-C)
CUSTOMER DRAWING

DRAWN BY JHNU	CHK'D	SCALE	NONE	DRAWING NO / CAD FILE C41734
------------------	-------	-------	------	---------------------------------

01 5/08 JHNU JHNU ADDED I.D. COLUMN TO TABLE

00 5/08 JHNU JHNU DRAWING RELEASED

REV	DATE	BY	CHK	DESCRIPTION	ECN	PM	APP
01	5/08	JHNU	JHNU	ADDED I.D. COLUMN TO TABLE			
00	5/08	JHNU	JHNU	DRAWING RELEASED			